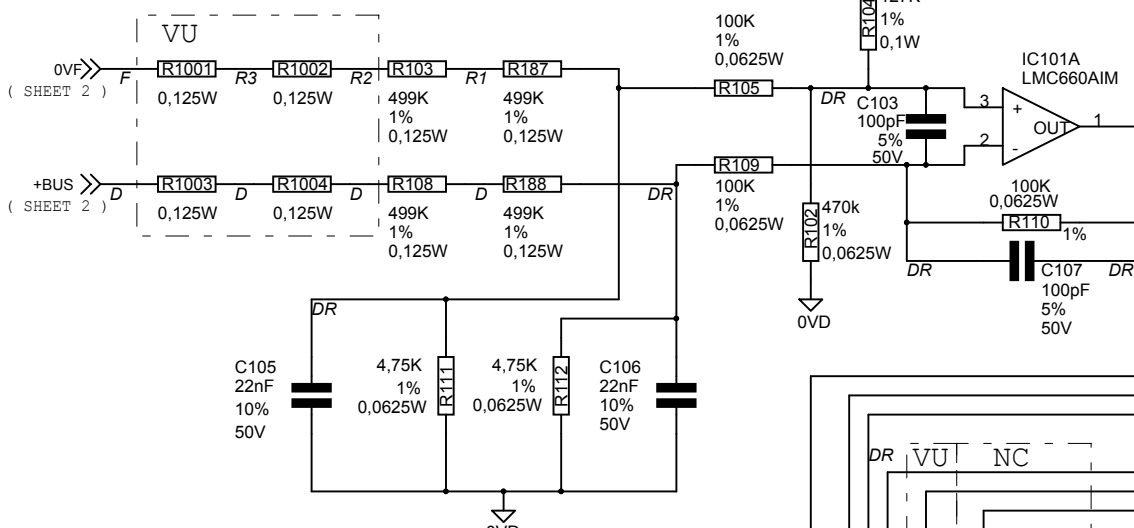
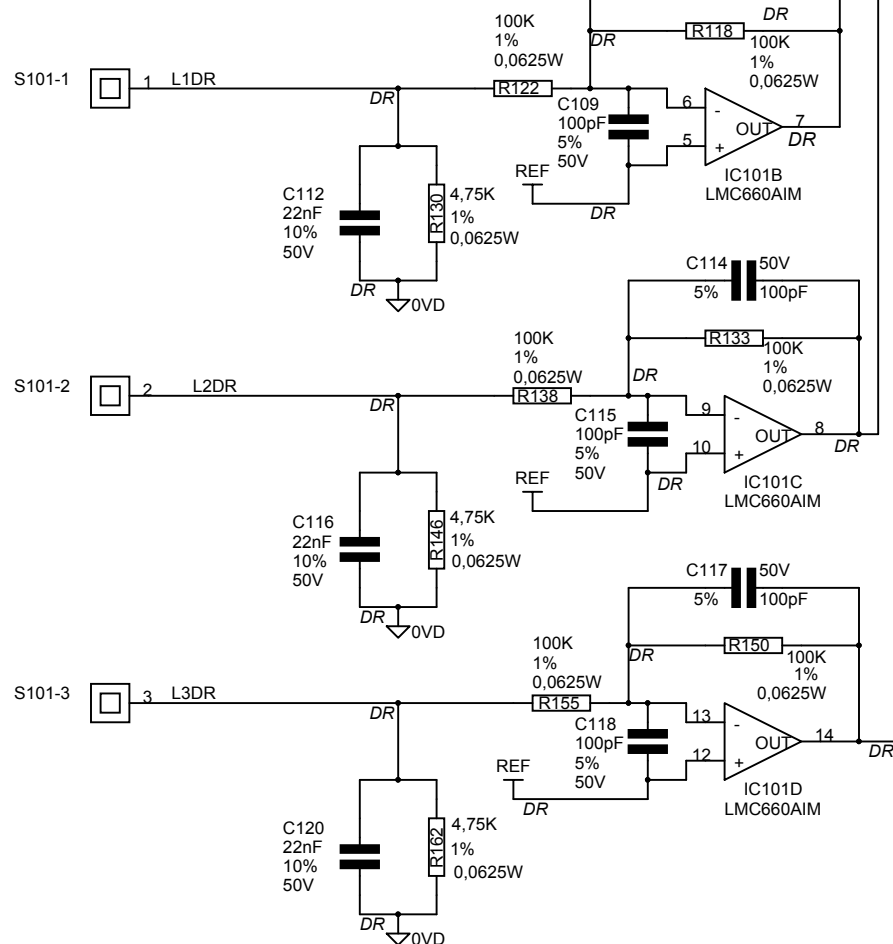


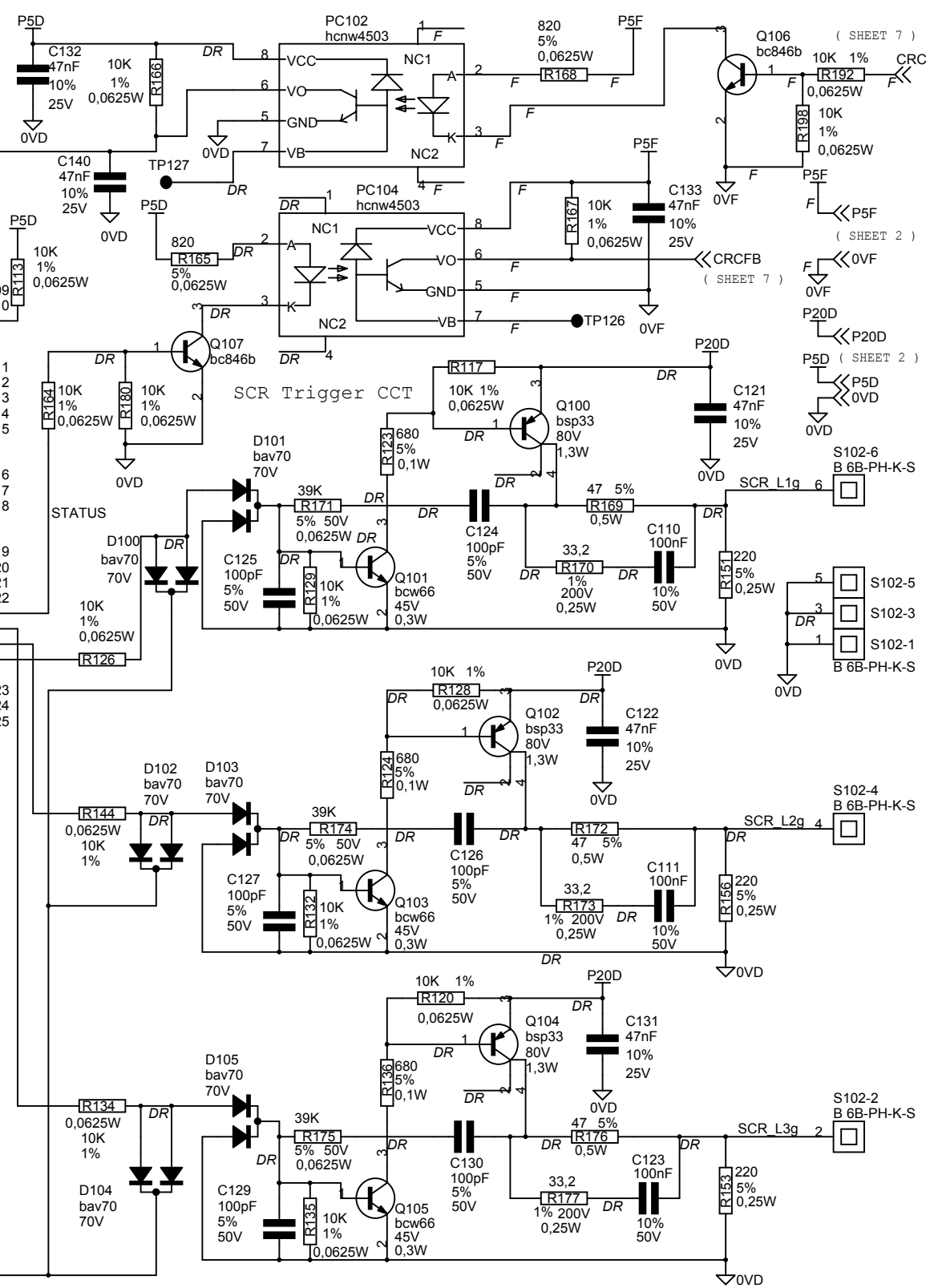
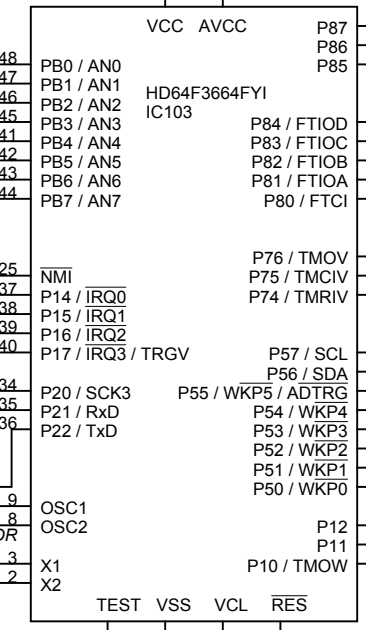
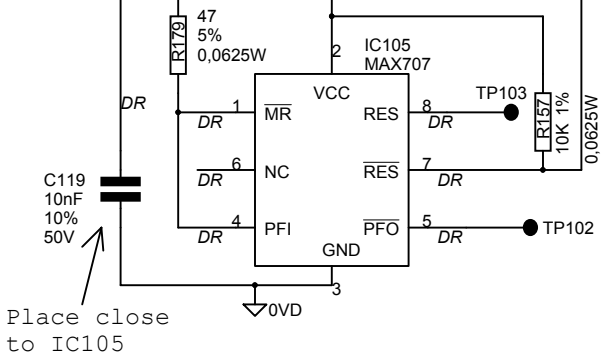
### DC Bus Voltage sensing



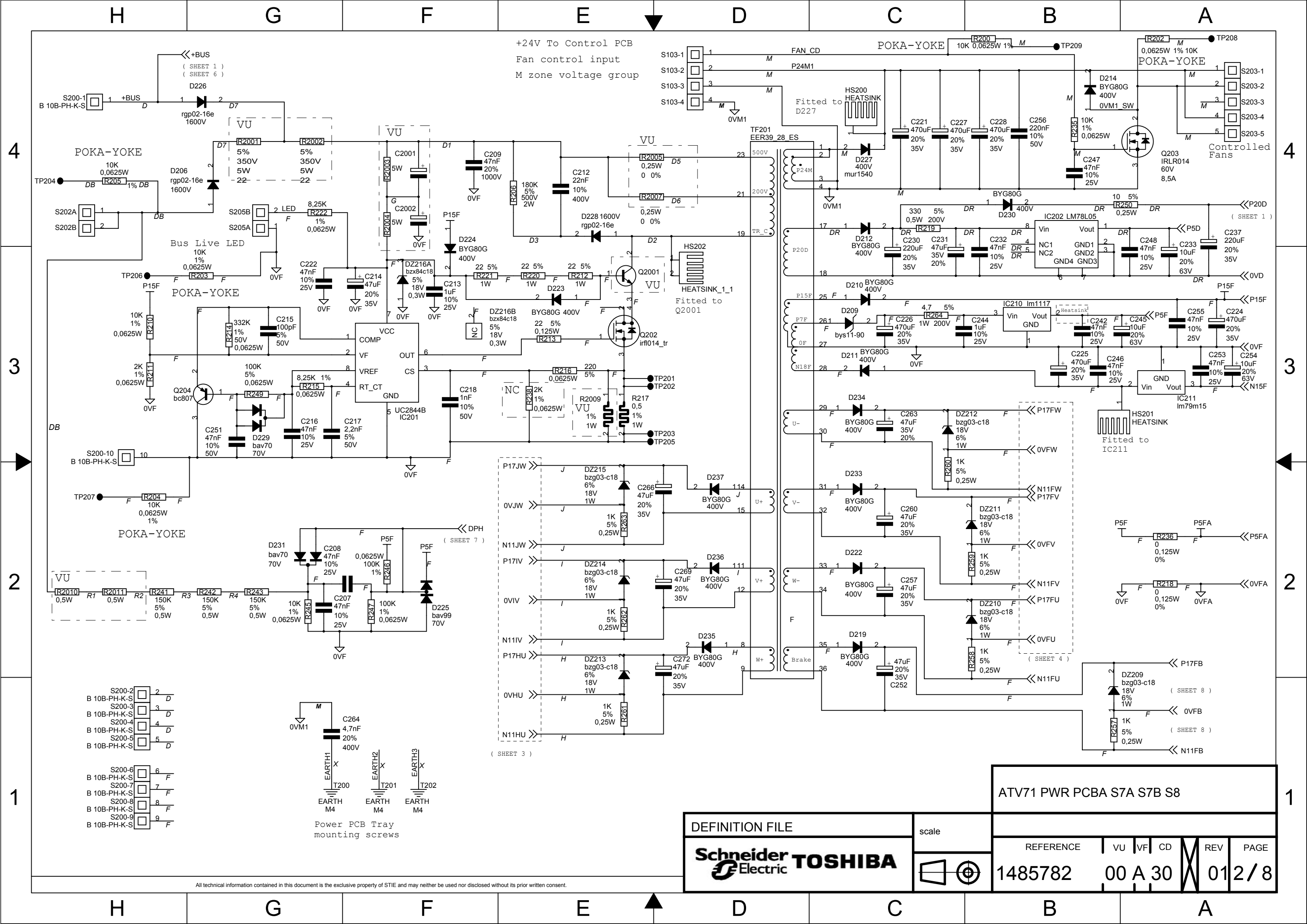
### Mains Voltage sensing



### Reset



|                                      |         |                           |                             |
|--------------------------------------|---------|---------------------------|-----------------------------|
| 01                                   | 18OCT04 | J20858                    | CREATION                    |
| Rev                                  | Date    | ERN / ECN No              | Modification                |
| Scale                                |         | Project 6JB53             | ERN / ECN No J20858         |
| Folder 112A8                         |         | ATV71 PWR PCBA S7A S7B S8 |                             |
| STUDIO DESIGN NAME : W81485782_00_00 |         | ERN / ECN Date 18OCT04    | REFERENCE VU VF CD REV PAGE |
| Schneider Electric TOSHIBA           |         | Issued by PDL             | 1485782 00 A 30 01 1/8      |



+24V To Control PCB  
Fan control input  
M zone voltage group

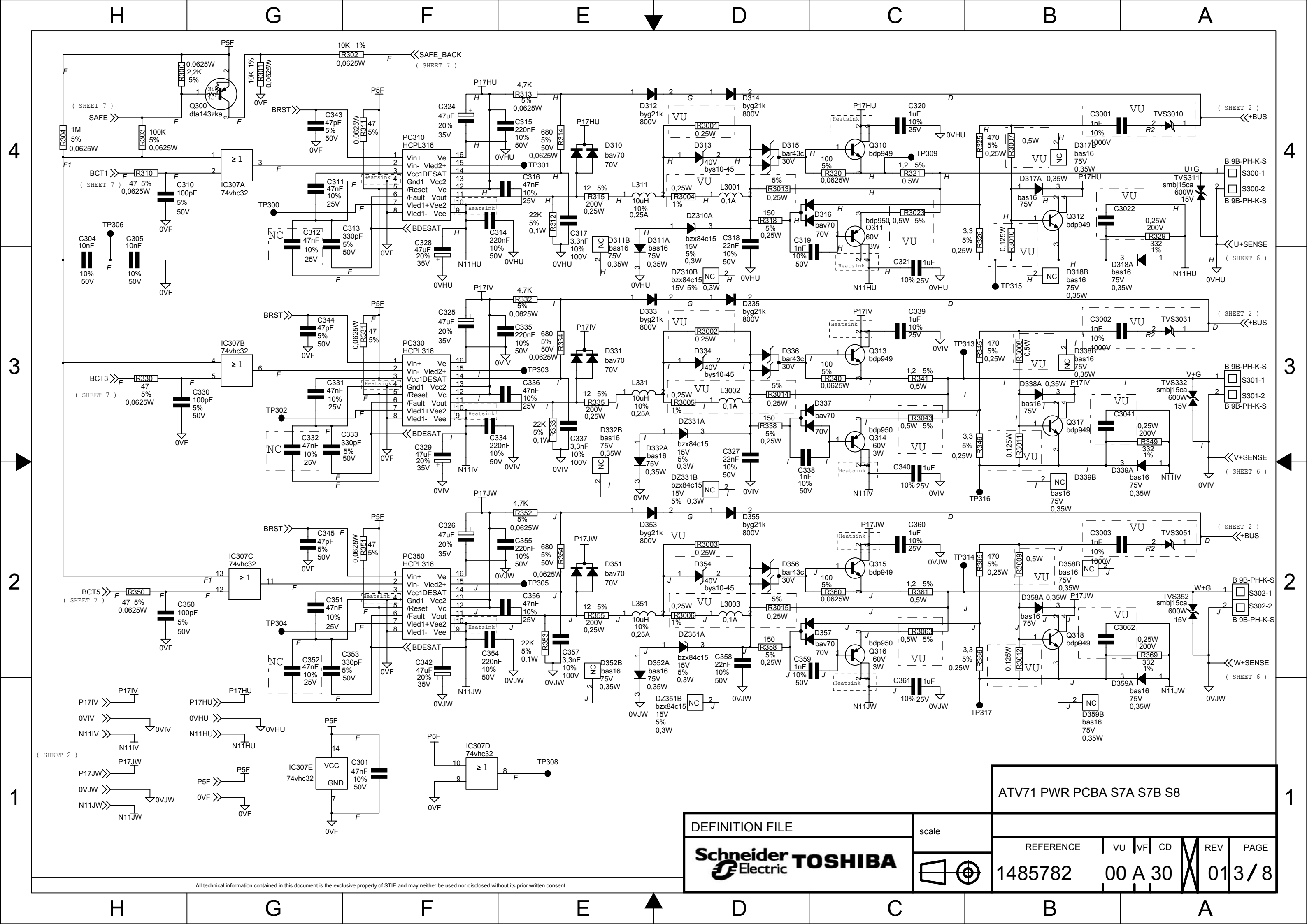
ATV71 PWR PCBA S7A S7B S8

DEFINITION FILE

**Schneider Electric TOSHIBA**

|       |           |    |    |    |       |      |
|-------|-----------|----|----|----|-------|------|
| scale | REFERENCE | VU | VF | CD | REV   | PAGE |
|       | 1485782   | 00 | A  | 30 | 012/8 |      |

All technical information contained in this document is the exclusive property of STIE and may neither be used nor disclosed without its prior written consent.



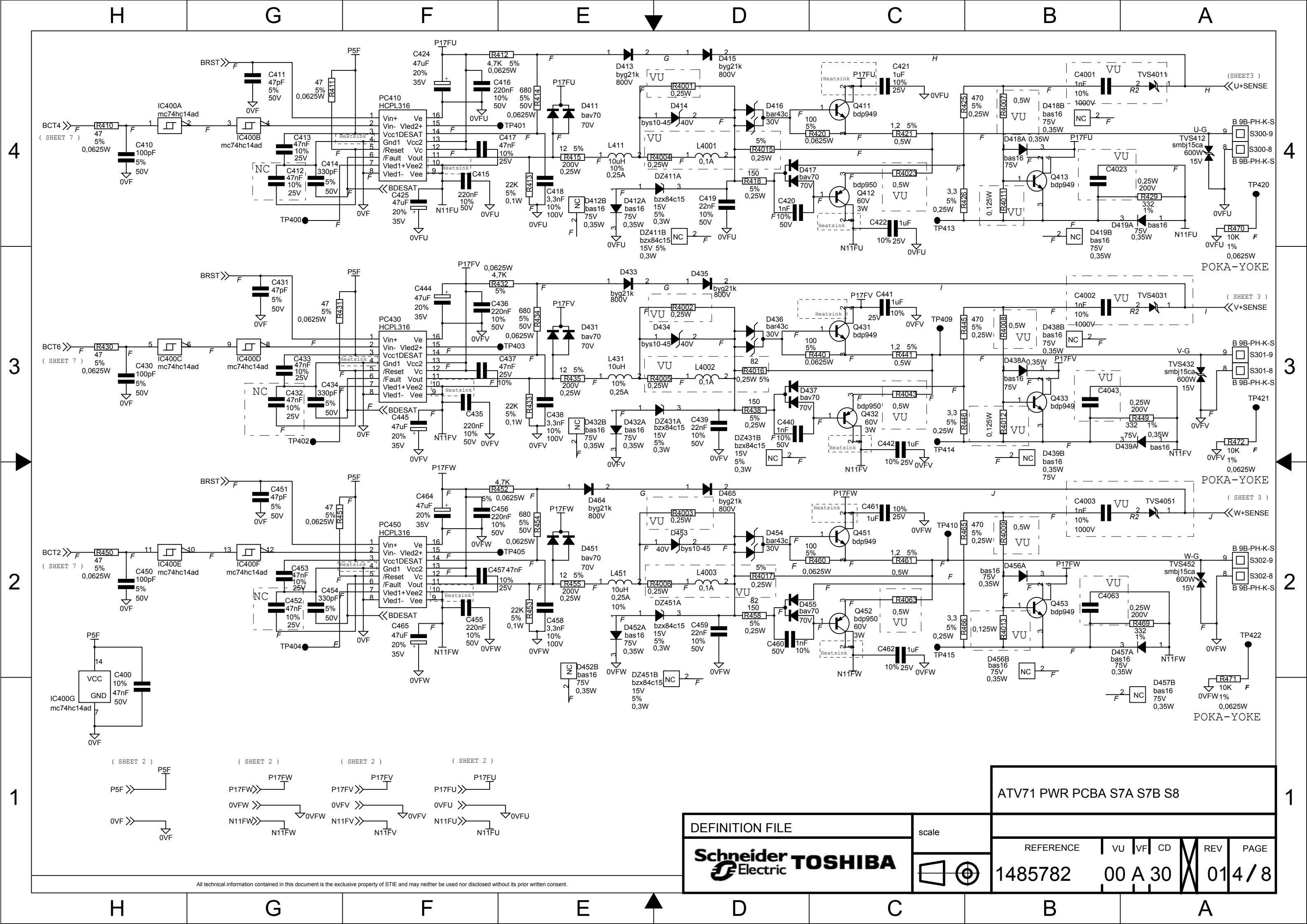
ATV71 PWR PCBA S7A S7B S8

DEFINITION FILE

**Schneider Electric TOSHIBA**

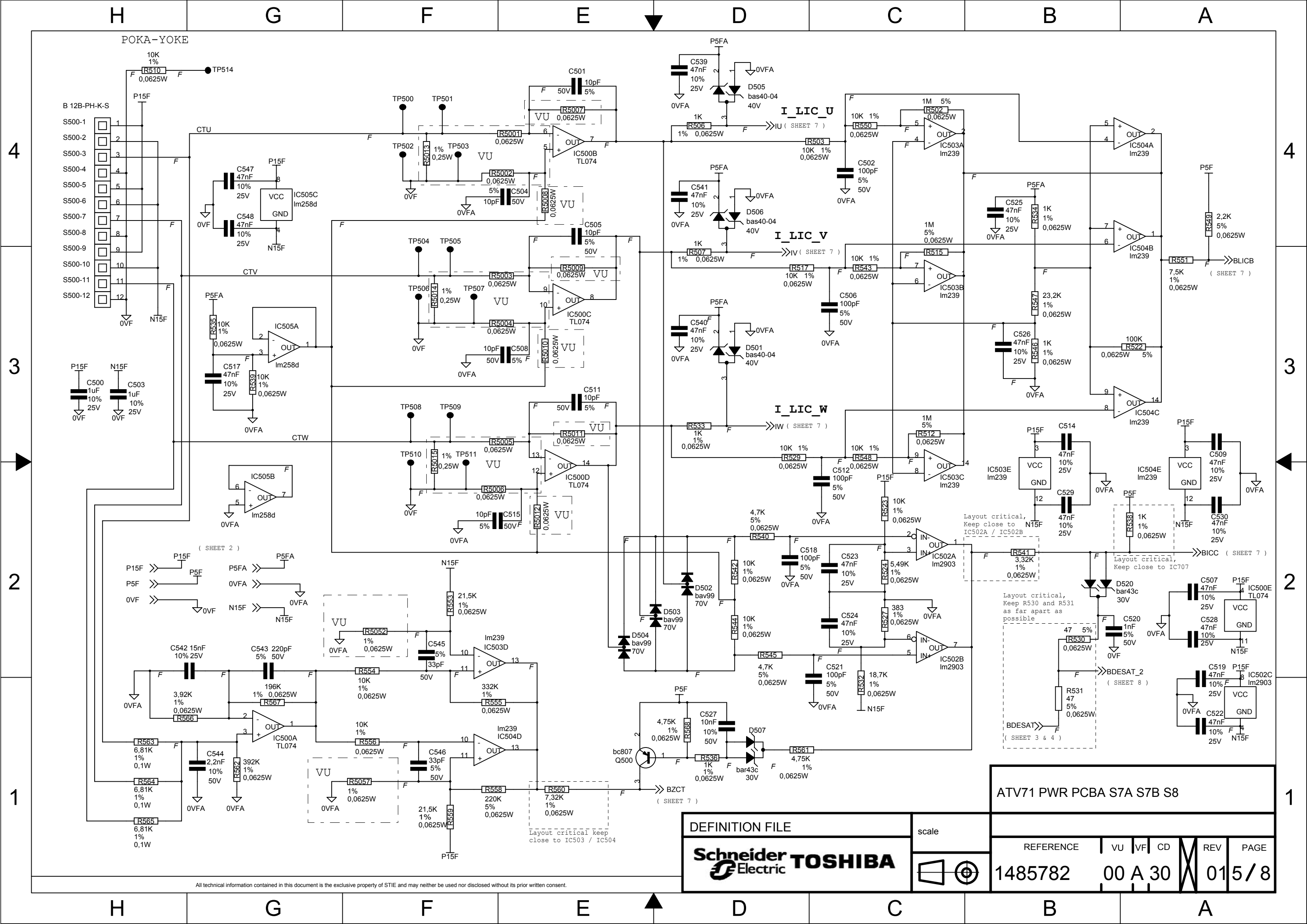
|       |           |    |    |    |       |      |
|-------|-----------|----|----|----|-------|------|
| scale | REFERENCE | VU | VF | CD | REV   | PAGE |
|       | 1485782   | 00 | A  | 30 | 013/8 |      |

All technical information contained in this document is the exclusive property of STIE and may neither be used nor disclosed without its prior written consent.



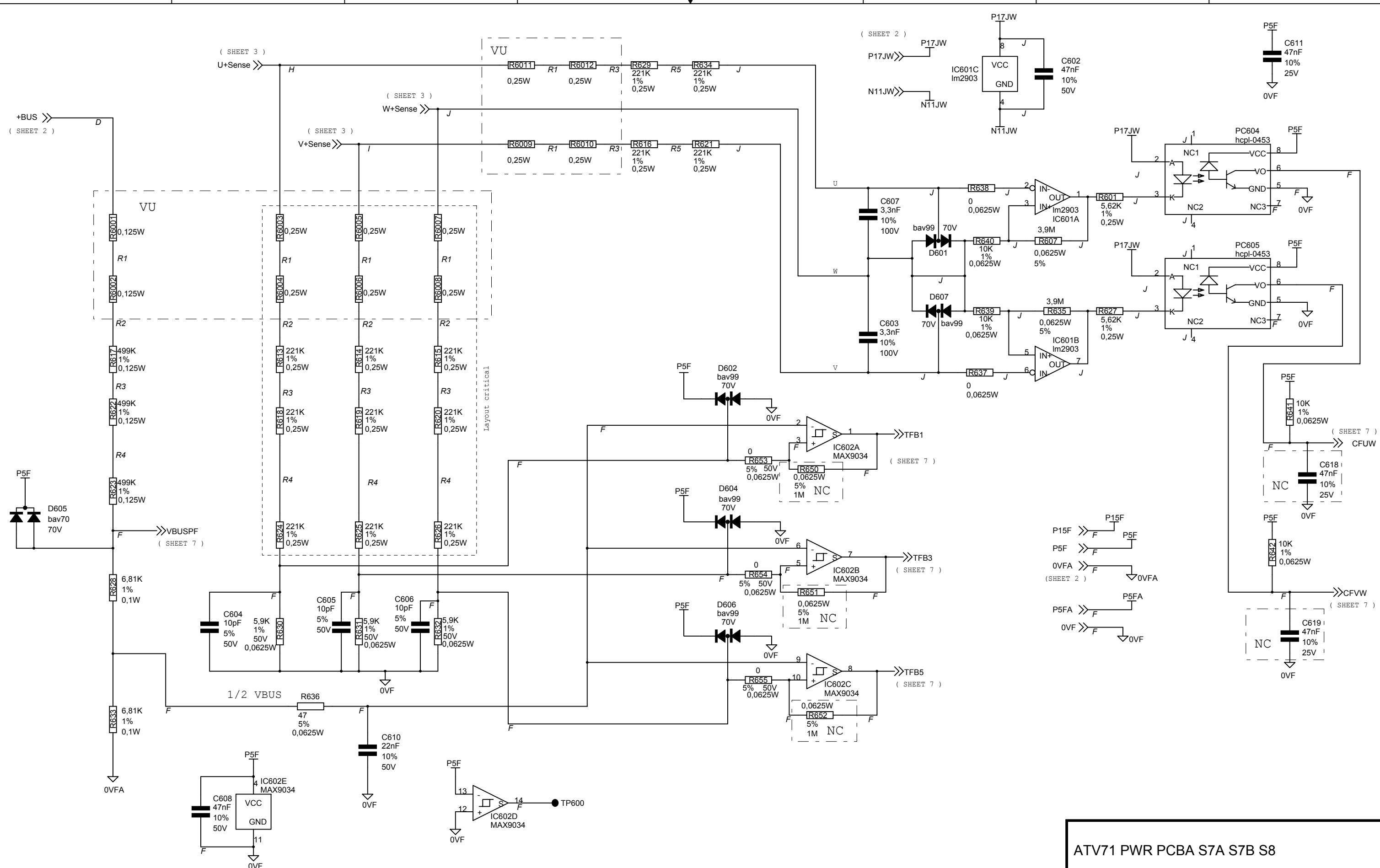
|                           |       |           |         |         |      |
|---------------------------|-------|-----------|---------|---------|------|
| ATV71 PWR PCBA S7A S7B S8 |       |           |         |         |      |
| DEFINITION FILE           | scale | REFERENCE | VU      | VF      | CD   |
|                           |       | 1485782   | 00 A 30 | 014 / 8 | PAGE |
|                           |       |           |         |         |      |

All technical information contained in this document is the exclusive property of STIE and may neither be used nor disclosed without its prior written consent.



|                            |  |           |         |     |       |
|----------------------------|--|-----------|---------|-----|-------|
| ATV71 PWR PCBA S7A S7B S8  |  |           |         |     |       |
| DEFINITION FILE            |  | scale     |         | REV | PAGE  |
| Schneider Electric TOSHIBA |  | REFERENCE | VU      | VF  | CD    |
|                            |  | 1485782   | 00 A 30 | 01  | 5 / 8 |

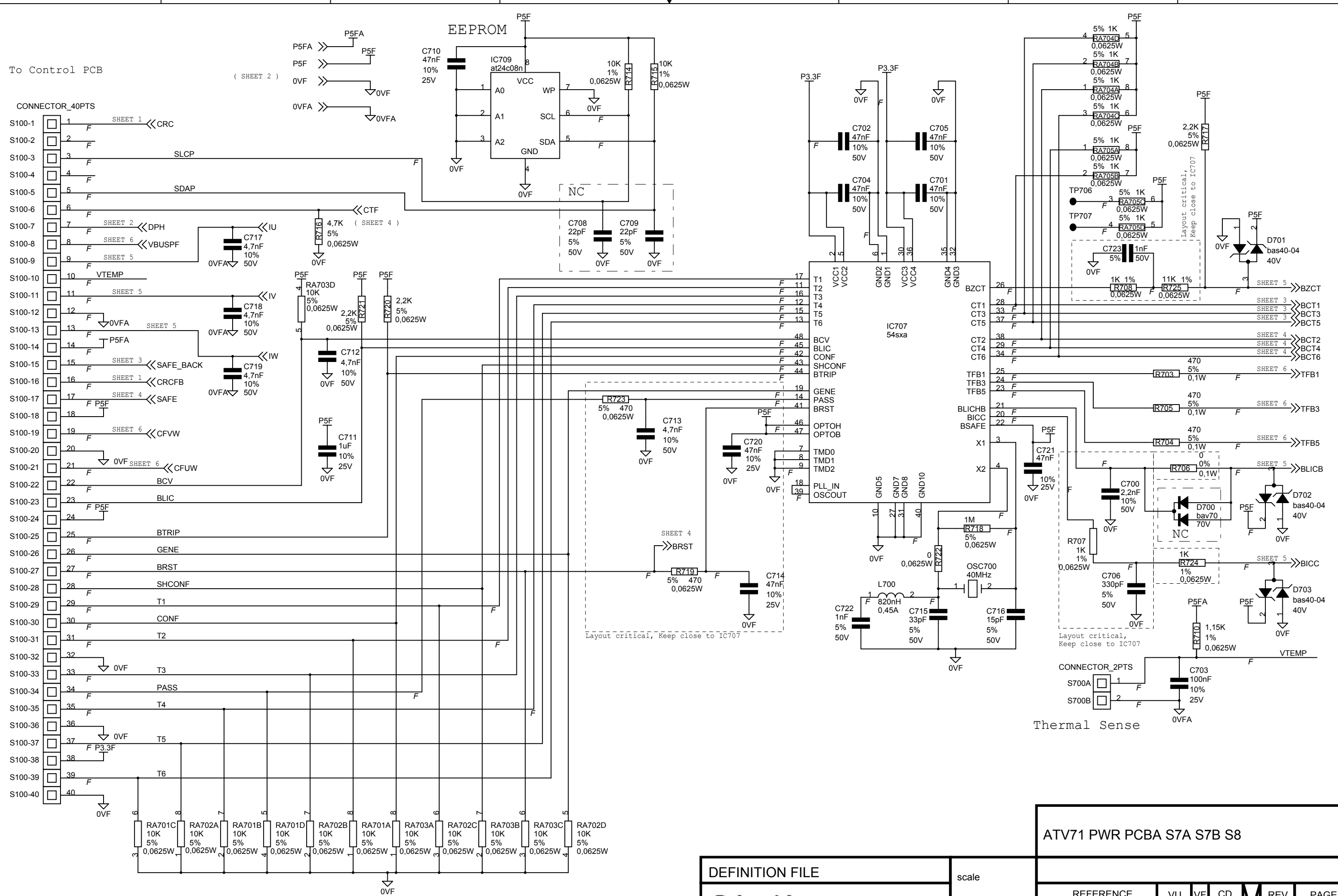
All technical information contained in this document is the exclusive property of STIE and may neither be used nor disclosed without its prior written consent.



ATV71 PWR PCBA S7A S7B S8

|                 |  |       |  |           |  |    |    |    |     |      |
|-----------------|--|-------|--|-----------|--|----|----|----|-----|------|
| DEFINITION FILE |  | scale |  | REFERENCE |  | VU | VF | CD | REV | PAGE |
|                 |  |       |  | 1485782   |  | 00 | A  | 30 | 016 | 8    |
|                 |  |       |  |           |  |    |    |    |     |      |

All technical information contained in this document is the exclusive property of STIE and may neither be used nor disclosed without its prior written consent.



ATV71 PWR PCBA S7A S7B S8

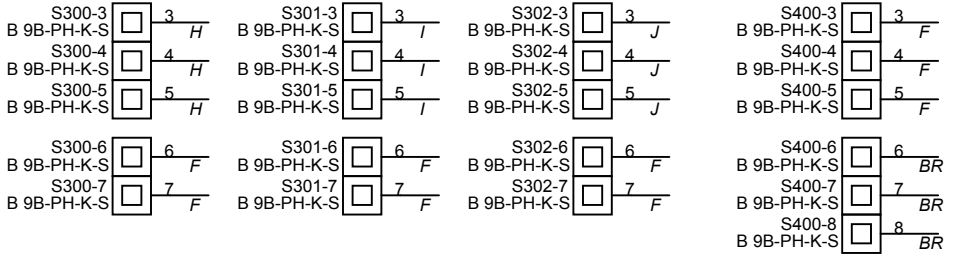
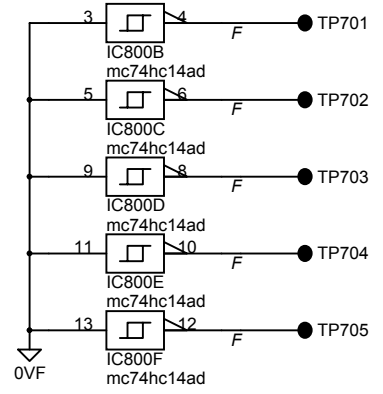
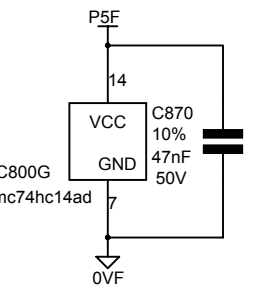
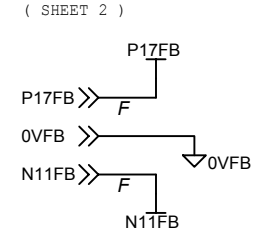
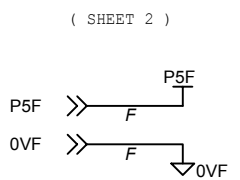
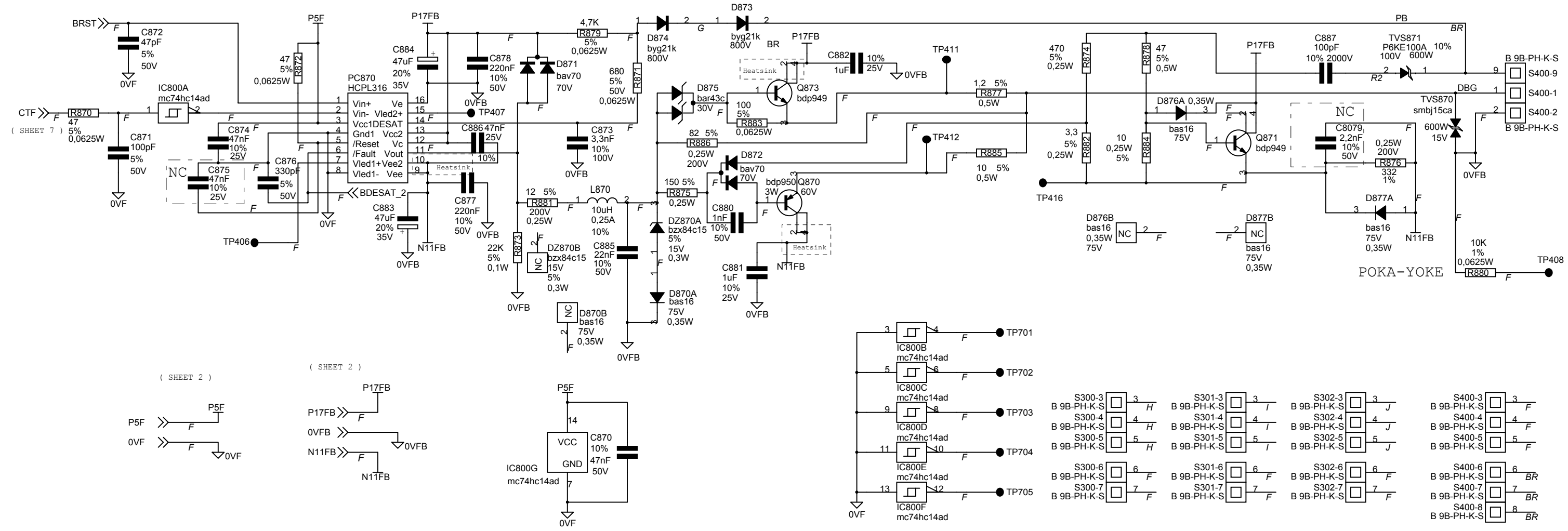
DEFINITION FILE

scale

**Schneider Electric** **TOSHIBA**

| REFERENCE | VU | VF | CD | REV | PAGE  |
|-----------|----|----|----|-----|-------|
| 1485782   | 00 | A  | 30 | 01  | 7 / 8 |

All technical information contained in this document is the exclusive property of STIE and may neither be used nor disclosed without its prior written consent.



ATV71 PWR PCBA S7A S7B S8

DEFINITION FILE

**Schneider Electric** **TOSHIBA**

|       |           |    |    |    |     |       |
|-------|-----------|----|----|----|-----|-------|
| scale | REFERENCE | VU | VF | CD | REV | PAGE  |
|       | 1485782   | 00 | A  | 30 | 01  | 8 / 8 |

All technical information contained in this document is the exclusive property of STIE and may neither be used nor disclosed without its prior written consent.